



AM™ Series

AM-12LF



Specifications

GENERAL SPECIFICATIONS

Nominal Impedance	8 Ω
Power	600 Watt (rms)
SPL 1W@1M average sensitivity	96 dB
Frequency Response	60Hz - 2500Hz
Dimension Ø x H (cm)	31.4 x 13.4
Net Weight	6.8 kg (15 lbs)
Shipping Weight	8 kg (17.6 lbs)
Packing Dimension H x W x D (cm)	34.5 x 34.5 x 18.5 (0.8cu.ft)
	13.6" x 13.6 x 7.3"

PHYSICAL SPECIFICATIONS

Magnet type	Ferrite
Voice Coil Diameter	76.2 mm (3 inch)

THIELE/SMALL PARAMETERS

Resonance Frequency	Fs	38 Hz
DC Resistance	Re	5.8 Ω
Coil Inductance	Le	0.44 mH
Mechanical Q Factor	Qms	5.0
Electrical Q Factor	Qes	0.36
Total Q Factor	Qts	0.34
BL Product	BL	16.8 Tm
Effective Moving Mass	Mms	73.3 g
Equivalent Cas Air-Load	Vas	94.7 Liters
Effective Piston Area	Sd	0.0550 Sqm
Half-Space Efficiency	Eff	1.43 %
Airgap Height	Hag	8.0 mm
Voice Coil Height	Hvc	20 mm
Voice Coil Overhang	Xmax	6 mm

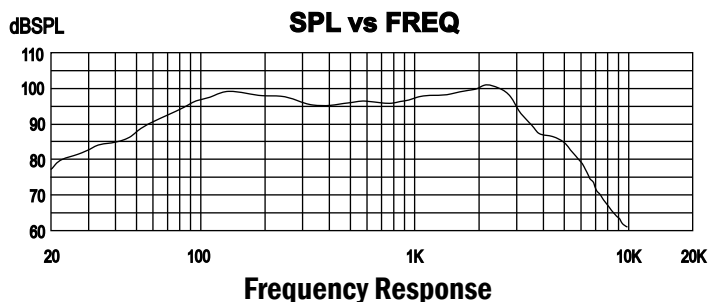
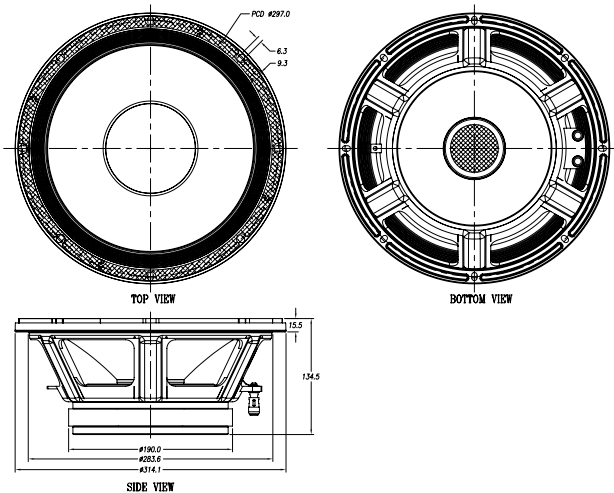
Applications

AM-12LF

The AM-12LF is designed to be used in two way sound reinforcement systems. The 12 inch (314mm) diameter chassis is ideal when used as the bass and mid section of a two way system where a compression driver and horn combination provide the upper mid and high frequency radiation. The AM-12LF is a die cast aluminum chassis the uses a high output Ferrite based magnetic structure.

The 3 inch (76.2mm) diameter voice coil uses edge wound rectangular aluminum wire that offers very high thermal capacity and high system power handling. The AM-12LF is designed for operation between 60Hz and 2500Hz. This frequency range is well suited for modern high efficiency sound system designs. A new cone material has been developed to improve time domain response thru the critical vocal range. This new cone material increases internal mechanical damping and improves upper vocal intelligibility.

The combination of Ferrite magnetics and medium format voice coil design make the AM-12LF a very high output to value device. Because the AM-12LF is well suited for many sound reinforcement and public address applications it will find it way into many professional systems. Advanced product design, featuring computer based analysis and modeling insure that the AM-12LF is optimized for its application in two way systems.



19/4 Moo 2 T.Bangkratuk A.Samparn Nakornpathom 73210 Thailand
 Tel: +66-2-441-6600 Auto 30 Lines
 e-mail: info@paudiothailand.com
 Website: www.paudiothailand.com
 All rights reserved by P.Audio System Co.,Ltd. 2007

