



Applications

AM-18LF

The AM Series represents a very high value for professional loudspeaker products. The AM-18LF is an 18 inch (460mm) diameter low frequency transducer that features a heavy duty die cast aluminum chassis and a high output Ferrite based permanent magnetic system. The AM-18LF has been optimized for use between 30Hz and 125Hz and is capable of very high acoustic output in this frequency band. Both the efficiency and the bandwidth have been tailored to professional sub woofer applications. The efficiency bandwidth product will produce the clean and tight bass response required for truly professional applications.

The AM-18LF features a 3 inch (76.2mm) diameter edge wound aluminum voice coil with winding parameters ideally matched to mechanical suspension system. This combination of voice coil length and suspension design will provide professional level linear excursion. The high thermal capacity adhesives and voice coil construction provide both high power handling and very high reliability.

The AM-18LF has been designed for sub bass and sub woofer applications in portable touring systems as well as mobile DJ and dance club environments. The advanced design and manufacturing processes at P Audio make the AM-18LF a very reliable and high performance device.

Specifications

GENERAL SPECIFICATIONS

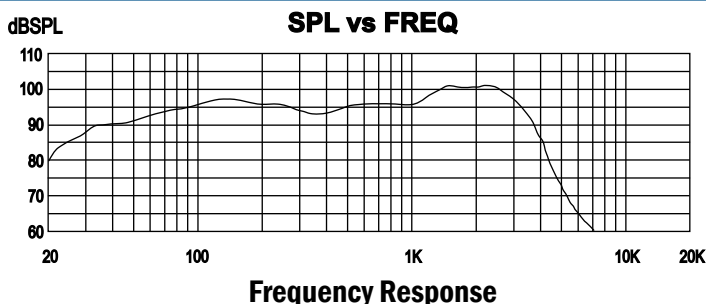
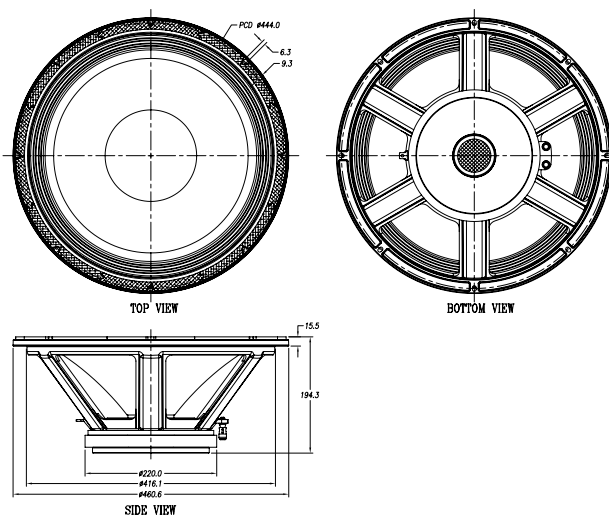
Nominal Impedance	8 Ω
Power	600 Watt (rms)
SPL 1W@1M average sensitivity	97 dB
Frequency Response	30Hz - 125Hz
Dimension Ø x H (cm)	46.1 x 19.4
Net Weight	9 kg (19.8 lbs)
Shipping Weight	11 kg (24.2 lbs)
Packing Dimension H x W x D (cm)	49.5 x 49.5 x 24.5 (2.1cu.ft)
	19.5" x 19.5" x 9.6"

PHYSICAL SPECIFICATIONS

Magnet type	Ferrite
Voice Coil Diameter	76.2 mm (3 inch)

THIELE/SMALL PARAMETERS

Resonance Frequency	Fs	35 Hz
DC Resistance	Re	5.7 Ω
Coil Inductance	Le	0.396 mH
Mechanical Q Factor	Qms	7.00
Electrical Q Factor	Qes	0.80
Total Q Factor	Qts	0.71
BL Product	BL	14.10 Tm
Effective Moving Mass	Mms	130.70 g
Equivalent Cas Air-Load	Vas	351.32 Liters
Effective Piston Area	Sd	0.1164 Sqm
Half-Space Efficiency	Eff	1.88 %
Airgap Height	Hag	8.0 mm
Voice Coil Height	Hvc	17.0 mm
Voice Coil Overhang	Xmax	4.5 mm



19/4 Moo 2 T.Bangkratok A.Samparn Nakornpathom 73210 Thailand
 Tel: +66-2-441-6600 Auto 30 Lines
 e-mail: info@paudiothailand.com
 Website: www.paudiothailand.com
 All rights reserved by P.Audio System Co.,Ltd. 2007

