

High Output Compression Driver

The P Audio BM-D26 is a 1 inch (25.4mm) small format diaphragm compression driver coupled to a high density magnetic circuit. The compression driver exit diameter is an industry standard 1 inch (25.4 mm). The BM-D26 combines high magnetic field strength and a very lightweight diaphragm assembly, producing a very high output device that also features extended bandwidth and well defined frequency response. The BM-D26 is optimized for very high performance two way system designs as well as three way designs featuring bass, mid bass, and ultra high frequency transducers. The driver has a rated low frequency response limit of 1.5kHz and features extended response to beyond 2kHz.

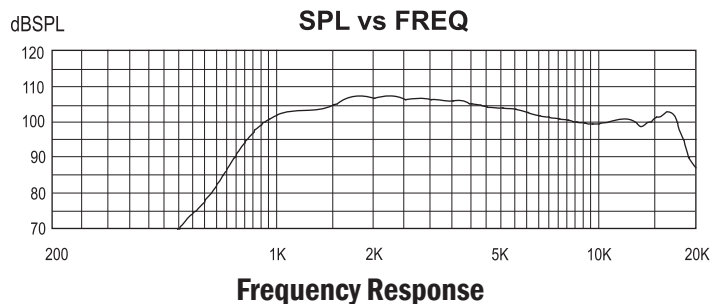
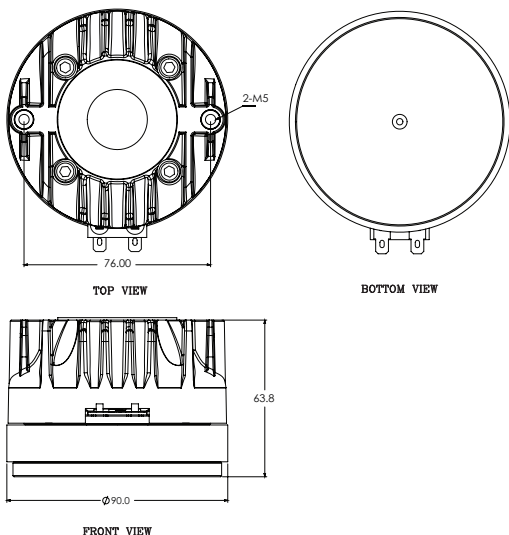
The BM-D26 is a Ferrite based magnetic system with an FEA (Finite Element Analysis) modeled magnetic circuit designed to yield very high magnetic density and high acoustic conversion efficiency. The lightweight diaphragm design and optimized geometry insure extended response

The BM-D26 features an industry standard bolt-on style mounting system that is ideally mated to all P Audio PH series high frequency horns as well as any industry standard high frequency horn that can accommodate a standard 1 inch "bolt-on" mounting pattern.



Specifications

Throat Diameter	1.0 inch (25.4mm)
Diaphragm Diameter	1.0 inch (25.4mm)
Nominal Impedance	8 Ohm
Voice Coil DC Resistance	6.2 Ohm
Power Handling	30 Watt
Sound Pressure Level (1W@1M) (Loaded with 90x40 Horn)	106 dB
Mounting Type	Bolt On
Magnet	Ferrite
Diaphragm Material	PEI (Polyimide Film)
Recommended Crossover	2.0kHz or higher (12dB/Oct slope)
Net Weight	1kg (2.2lbs) 1pc
Gross Weight	24.8kg (54.6lbs) 24pcs
Packing Dimension HxWxD(cm)	18.0 x 40.2 x 30.4 (0.81 Cu.Ft.)



19/4 Moo 2 T.Bangkratuk A. Samparn Nakornpathom 73210 Thailand
 Tel: +66-2-441 6600 Auto 30 Lines
 e-mail: info@paudiothailand.com
 Web site: www.paudiothailand.com
 All rights reserved by P.Audio System Co., Ltd. 2007

