

Ferrite Magnet Die-cast Chassis Driver



Features

- 4" Large Format Voice Coil
- 4800 Watts Peak Power Handling
- Active Balanced Cooling
- Ferrite Magnetics
- Precision Rectangular Ribbon Wire
- Double Spider Suspension
- Integrated Demodulation Rings
- Die Cast Aluminum Chassis

Applications

The P Audio C15-600EL is a high output wide bandwidth transducer. The C15-600EL is an upgraded design that features many of P Audio's new technologies and performance upgrades. The 15 inch (381mm) diameter piston will produce extremely high sound pressure levels at both low and mid band frequencies and is ideal for high level response in both live sound and recorded music venues. The transducer uses high energy ferrite magnetics to achieve a very high acoustic output to weight ratio. The C15-600EL has been optimized for use in two way or three way sound reinforcement systems and has a rated operating range of 55Hz to 2000Hz.

The C15-600EL employs a large 4 inch (101.6mm) diameter voice coil that provides an AES rated 1200 watts of continuous power handling and a full 4800 watts of peak rated power handling when sufficient amplifier headroom is available. The C15-600EL utilizes P Audio's Auto Balanced Cooling (ABC) technology to not only improve transducer power handling and reliability but to also increase power compression performance by carefully balancing and directing airflow to critical areas.

The voice coil design is a bobbin wound geometry with P Audio's precision flat wire technology to improve conversion efficiency and provide a large cross-sectional area for superior cooling.

The transducer employs magnetic flux demodulation devices in the structure to increase fidelity and sonic accuracy. The system suspension has been designed specifically for high linear displacement and extended low frequency response. The C15-600EL also features a double spider configuration that further enhances system reliability and mechanical control.

The transducer chassis is a die cast aluminum design that insures a very high degree of structural integrity.

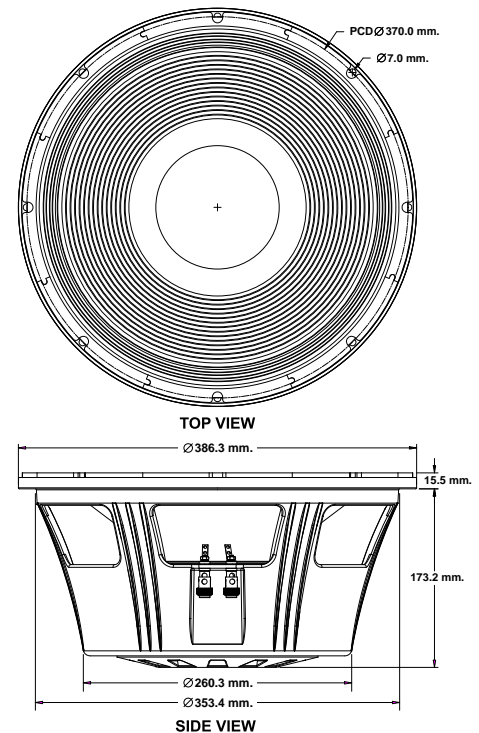
Specifications

General Specifications

Nominal diameter.....	381 mm/15 in
Power rating.....	1200 W(AES)
Nominal impedance.....	8Ω
Sensitivity.....	96 dB
Frequency range.....	55-2000 Hz
Chassis type.....	Cast aluminum
Magnet type.....	Ferrite
Magnet weight.....	3.17 kg/111.8 oz
Voice coil diameter.....	101.6 mm/4.0 in
Coil material.....	CCA-R
Former material.....	Glass fiber
Cone material.....	Paper
Surround material.....	Cloth
Suspension.....	Double
X-max.....	5.25 mm/0.21 in
Gap depth.....	15.0 mm/0.59 in
Voice coil winding width.....	25.5 mm/1.0 in
Net Weight.....	13.2 kg/29.1 lb
Packing Dimension WxDxH (mm)	430mm x 430mm x 235mm
Shipping Weight.....	14.2 kg/31.3 lb

Small Signal Parameters

Re.....	5.5Ω
Fs.....	51 Hz
Mms.....	126.83 g/4.47 oz
Mmd.....	112.45 g/3.97 oz
Qms.....	7.40
Qes.....	0.43
Qts.....	0.41
Vas.....	80.57 lt/2.85 ft³
Bl.....	22.66 Tm
Cms.....	7.9e-05 m/N
Rms.....	5.39 Ns/m
Le (at 1kHz).....	0.67 mH



Frequency Response and Impedance Curves

