

**Ferrite Magnet Steel Chassis Driver**



**Specifications**

**General Specifications**

Nominal diameter.....	381 mm/15 in
Power rating.....	300 W(AES)
Nominal impedance.....	8Ω
Sensitivity.....	99 dB
Frequency range.....	40-2000 Hz
Chassis type.....	Heavy Duty Stamp Steel
Magnet type.....	Ferrite
Magnet weight.....	2.56 kg/90.3 oz
Voice coil diameter.....	76.2 mm/3.0 in
Coil material.....	SV-W
Former material.....	Kapton
Cone material.....	Paper
Surround material.....	Cloth
Suspension.....	Single
X-max.....	4.25 mm/0.17 in
Gap depth.....	.10 mm/0.39 in
Voice coil winding width.....	18.5 mm/0.73 in
Net Weight.....	7.3 kg/16.1 lb
Packing Dimension WxDxH (mm)	430mm x 430mm x 210mm
Shipping Weight.....	8.4 kg/18.5 lb

**Small Signal Parameters**

Re.....	6.4Ω
Fs.....	39 Hz
Mms.....	74.3 g/2.62 oz
Mmd.....	59.94 g/2.11 oz
Qms.....	6.66
Qes.....	0.30
Qts.....	0.29
Vas.....	228.84 lt/8.08 ft <sup>3</sup>
Bl.....	19.87 Tm
Cms.....	2.2e-04 m/N
Rms.....	2.73 Ns/m
Le (at 1kHz).....	0.73 mH

**Features**

- 3" Voice Coil
- 1200 Watts Peak Power Handling
- Ferrite Magnetics
- Precision Circular Wire Geometry
- Stamped Steel Chassis

**Applications**

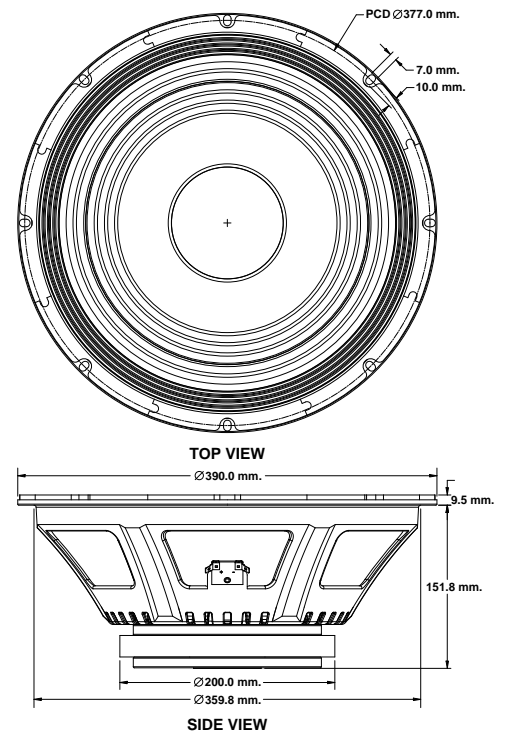
The P Audio E15-300S is a high output low frequency transducer. The E15-300S is an upgraded design that features many of P Audio's new technologies and performance upgrades. The 15 inch (381mm) diameter piston will produce extremely high sound pressure levels at very low frequencies and is ideal for high level deep bass and sub woofer response in both live sound and recorded music venues. The operating bandwidth of the E15-300S is 40Hz to 2000Hz. The transducer uses high energy ferrite magnetics to achieve a very high acoustic output to weight ratio.

The E15-300S employs a medium format 3 inch (76.2mm) diameter voice coil that provides an AES rated 300 watts of continuous power handling and a full 1200 watts of peak rated power handling when sufficient amplifier headroom is available. The E15-300S utilizes P Audio's under damper venting technology to improve transducer air flow and reduce turbulence under the damper and around the voice coil.

The voice coil design is a bobbin wound geometry with P Audio's precision round wire technology to maximize system conversion efficiency.

The suspension has been designed specifically for high linear displacement and extended low frequency response.

The transducer chassis is a heavy gauge stamped steel design that insures a very high degree of structural integrity.



**Frequency Response and Impedance Curves**

