



Applications

E-15LF

The E-15LF is a high acoustic output loudspeaker designed for use in multi way sound reinforcement systems. The transducer is a 15 inch (389mm) diameter design that is intended for use as the low frequency component in two way professional system designs.

The E-15LF features a rigid stamped steel chassis coupled to a large diameter Ferrite based permanent magnetic system. The very large 4 inch (101.6mm) diameter voice coil provides excellent power handling and thermal capacity. The use of high conductivity copper conductor and high temperature adhesives insure long term reliability. The combination of this very large voice coil and large magnet structure insure high efficiency in the rated operating bandwidth. The E-15LF is rated for use between 50Hz and 1500Hz and will provide excellent low frequency impact and mid band clarity in this frequency range. Because of its high mid band efficiency, the E-15LF should be used in two way system designs where the high frequency response is provided by a professional level compression driver and horn combination.

Specifications

GENERAL SPECIFICATIONS

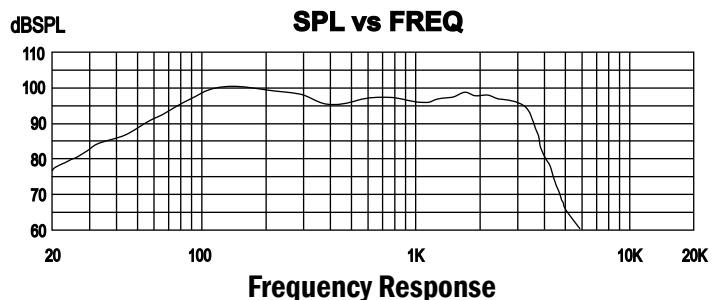
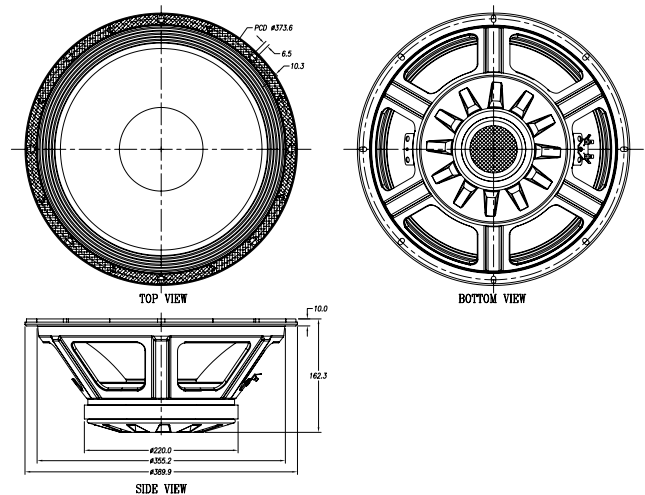
Nominal Impedance	8 Ω
Power	800 Watt (rms)
SPL 1W@1M average sensitivity	96 dB
Frequency Response	50Hz - 1500Hz
Dimension \varnothing x H (cm)	38.9 x 16.2
Net Weight	9.9 kg (21.8 lbs)
Shipping Weight	11.5 kg (25.3 lbs)
Packing Dimension H x W x D (cm)	42.5 x 42.5 x 20.5 (1.3cu.ft)
	16.7" x 16.7" x 8.1"

PHYSICAL SPECIFICATIONS

Magnet type	Ferrite
Voice Coil Diameter	101.6 mm (4 inch)

THIELE/SMALL PARAMETERS

Resonance Frequency	Fs	50 Hz
DC. Resistance	Re	6.1 Ω
Coil Inductance	Le	0.838 mH
Mechanical Q Factor	Qms	5.29
Electrical Q Factor	Qes	0.45
Total Q Factor	Qts	0.42
BL Product	BL	21.75 Tm
Effective Moving Mass	Mms	111.59 g
Equivalent Cas Air-Load	Vas	92.17 Liters
Effective Piston Area	Sd	0.0850 Sqm
Half-Space Efficiency	Eff	2.56 %
Airgap Height	Hag	8.0 mm
Voice Coil Height	Hvc	20.0 mm
Voice Coil Overhang	Xmax	6.0 mm



19/4 Moo 2 T.Bangkratuk A.Samparn Nakornpathom 73210 Thailand
 Tel: +66-2-441-6600 Auto 30 Lines
 e-mail: info@paudiothailand.com
 Website: www.paudiothailand.com
 All rights reserved by P.Audio System Co.,Ltd. 2007

