



# ETM Series II

# E-18ELF



## Applications

### E 18ELF

The E-18ELF is an extended low frequency loudspeaker designed for ultra low frequency applications. The rated bandwidth is 30Hz to 100Hz. The E Series II E-18ELF is an 18 inch (460mm) diameter transducer that features a large format 4 inch (101.6mm) voice coil design to insure very high power handling and high reliability. The E-18ELF is similar to the E Series II E-18LF but has been optimized to additional extended low frequency response. The relationship between loudspeaker efficiency and low frequency response means that the E-18ELF has a lower 1 watt @ 1 meter sensitivity, as compared to the E-18LF, but does offer extended deep bass response.

The E-18ELF should be used whenever very low, extended bass response is required for special effects or when program material contains sufficient content in the extended sub bass range. When high impact tour quality bass is required the E-18LF should be used.

The E-18ELF features a rigid stamped steel chassis coupled to a large diameter Ferrite permanent magnetic structure. The large format voice coil features a high conductivity copper voice coil with substantial thermal capacity. Ultra high temperature adhesive systems are employed to insure maximum reliability. The E-18ELF has been optimized through the use of computer based measurement and modeling. The extended voice coil length provides increased linear excursion at high input power levels.

## Specifications

### GENERAL SPECIFICATIONS

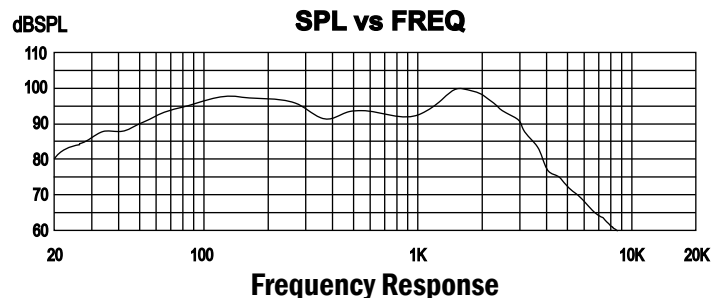
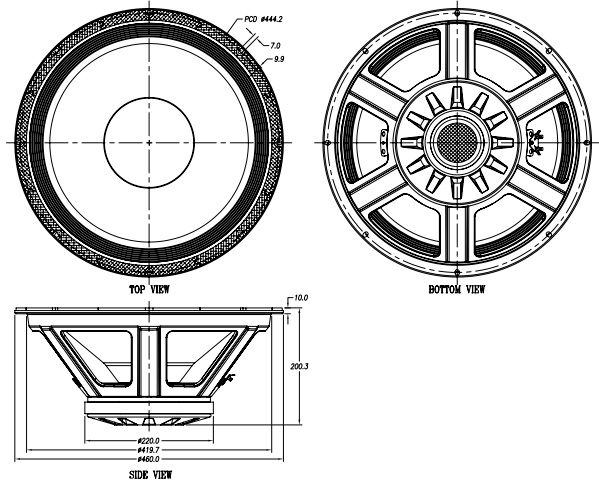
Nominal Impedance	8 $\Omega$
Power	800 Watt (rms)
SPL 1W@1M average sensitivity	97 dB
Frequency Response	30Hz - 100Hz
Dimension $\varnothing$ x H (cm)	46 x 20
Net Weight	10.6 kg (23.3 lbs)
Shipping Weight	12.6 kg (27.7 lbs)
Packing Dimension H x W x D (cm)	49.5 x 49.5 x 24.5 (2.1cu.ft)
	19.5" x 19.5" x 9.7"

### PHYSICAL SPECIFICATIONS

Magnet type	Ferrite
Voice Coil Diameter	101.6 mm (4 inch)

### THIELE/SMALL PARAMETERS

Resonance Frequency	Fs	30 Hz
DC Resistance	Re	6.0 $\Omega$
Coil Inductance	Le	1.00 mH
Mechanical Q Factor	Qms	7.39
Electrical Q Factor	Qes	0.47
Total Q Factor	Qts	0.44
BL Product	BL	21.53 Tm
Effective Moving Mass	Mms	188.31 g
Equivalent Cas Air-Load	Vas	263.57 Liters
Effective Piston Area	Sd	0.1134 Sqm
Half-Space Efficiency	Eff	1.56 %
Airgap Height	Hag	8.0 mm
Voice Coil Height	Hvc	23.0 mm
Voice Coil Overhang	Xmax	7.5 mm



19/4 Moo 2 T.Bangkratuk A.Samparn Nakornpathom 73210 Thailand  
 Tel: +66-2-441-6600 Auto 30 Lines  
 e-mail: info@paudiothailand.com  
 Website: www.paudiothailand.com  
 All rights reserved by P.Audio System Co.,Ltd. 2007

