



FLAGSHIP™ Series FL-15LF



Specifications

GENERAL SPECIFICATIONS

Nominal Impedance	8 Ω
Power	800 Watt (rms)
SPL 1W@1M average sensitivity	97 dB
Frequency Response	45Hz - 2000Hz
Dimension Ø x H (cm)	38.6 x 19.7
Net Weight	9.4 kg (20.7 lbs)
Shipping Weight	11 kg (24.2 lbs)
Packing Dimension H x W x D (cm)	42.5 x 42.5 x 24.4 (1.6cu.ft)
	16.7" x 16.7" x 9.6"

PHYSICAL SPECIFICATIONS

Magnet type	Neodymium
Voice Coil Diameter	101.6 mm (4 inch)

THIELE/SMALL PARAMETERS

Resonance Frequency	Fs	45 Hz
DC Resistance	Re	6.2 Ω
Coil Inductance	Le	0.45 mH
Mechanical Q Factor	Qms	7.0
Electrical Q Factor	Qes	0.46
Total Q Factor	Qts	0.43
BL Product	BL	21.35 Tm
Effective Moving Mass	Mms	118.54 g
Equivalent Cas Air-Load	Vas	108.47 Liters
Effective Piston Area	Sd	0.0855 Sqm
Half-Space Efficiency	Eff	2.12 %
Airgap Height	Hag	10.0 mm
Voice Coil Height	Hvc	20.0 mm
Voice Coil Overhang	Xmax	5.0 mm

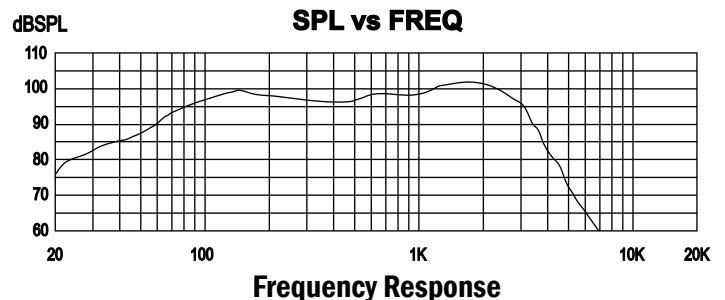
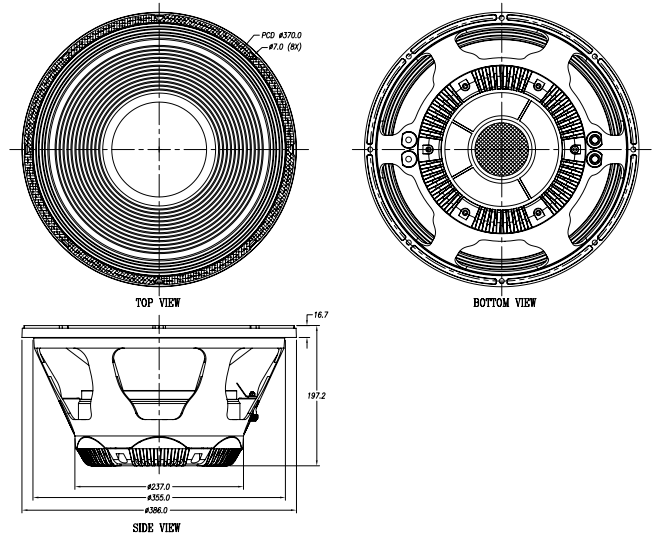
Applications

FL-15LF

The FL-15LF from P Audio is a very high output high performance low frequency driver that also exhibits wide bandwidth. The extended bandwidth make the FL-15LF ideal for the bass and lower mid range sections of any two way design. A newly developed cone material produces clean vocal fundamentals and well controlled time domain performance.

The FL-15LF also features a large format 4 inch (101.6mm) voice coil assembly that insures very high power handling and high reliability. This voice coil design features edge wound rectangular geometry conductors. The high energy product Neodymium magnet system and light weight die cast aluminum frame allow this design to be used in high performance touring system designs where maximum acoustic and minimized weight are both critical performance parameters. The rated operating bandwidth is 45Hz to 2000Hz.

The FL-15LF is an excellent choice for two way and three way designs such as touring systems, portable public address systems and particularly suited for permanent installation systems that are suspended. The light weight and maximized efficiency-bandwidth product make this woofer and ideal bass and lower vocal full range component in two way and three way designs where light weight and portability are critical.



19/4 Moo 2 T.Bangkratok A.Samparn Nakornpathom 73210 Thailand
 Tel: +66-2-441-6600 Auto 30 Lines
 e-mail: info@paudiothailand.com
 Website: www.paudiothailand.com
 All rights reserved by P.Audio System Co.,Ltd. 2007

