

Ferrite Magnet Die-cast Chassis Driver



Specifications

General Specifications

Nominal diameter.....	381 mm/15 in
Power rating.....	1200 W(AES)
Nominal impedance.....	8Ω
Sensitivity.....	96 dB
Frequency range.....	40-2000 Hz
Chassis type.....	Cast aluminum
Magnet type.....	Ferrite
Magnet weight.....	4.3 kg/150.8 oz
Voice coil diameter.....	101.6 mm/ 4 in
Coil material.....	Copper wire
Former material.....	Glass fiber
Cone material.....	Paper
Surround material.....	Cloth
Suspension.....	Double
X-max.....	6 mm/0.24 in
Gap depth.....	15 mm/0.59 in
Voice coil winding width.....	27 mm/1.06 in
Net Weight.....	15.2 kg/33.5 lbs
Packing Dimension WxDxH.....	415 x 415 x 250 mm
Shipping Weight.....	16.8 kg/37 lbs

Small Signal Parameters

Re.....	5.6 Ω
Fs.....	44 Hz
Mms.....	180.20 g/6.36 oz
Mmd.....	165.16 g/3.39 oz
Qms.....	12.33
Qes.....	0.53
Qts.....	0.51
Vas.....	76.8 lt/2.71 ft ³
SD.....	881 cm ²
Bl.....	23.12 Tm
Cms.....	7.1e-05 m/N
Rms.....	4.12 Ns/m
Le (at 1kHz).....	0.83 mH

Features

- 4" Very Large Format Voice Coil
- 4800 Watts Peak Power Handling
- Active Balance Cooling
- Ferrite Magnetics
- Copper wire inside/outside Design
- Double Spider Suspension
- Integrated Demodulation Rings
- Die Cast Aluminum Chassis

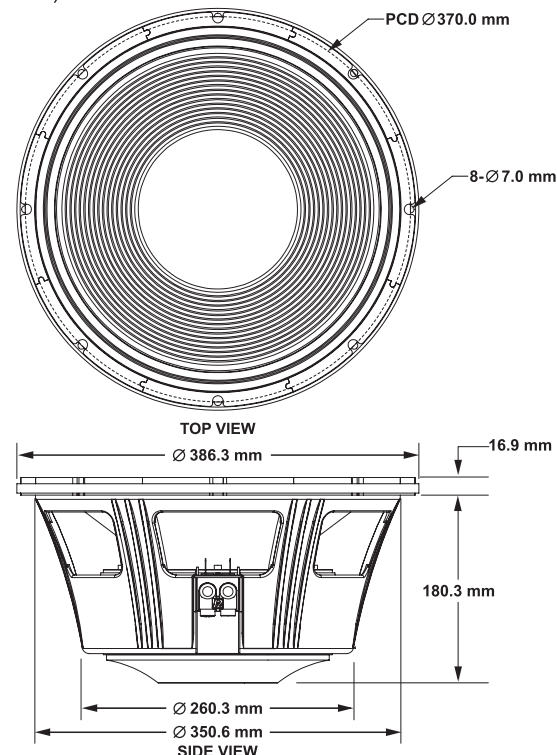
Applications

The P Audio GST-151200 is a 15 inch (381mm) diameter high performance low frequency woofer. The design utilizes a large format 4 inch (101.6mm) nominal voice coil diameter with a very high power copper based coil configured in an inside/outside wind geometry. The design provides a very high peak power handling rating of 4800 Watts. The large format ferrite based magnet structure produces very high conversion efficiency. Inside/outside winding geometry assists in coil cooling and improves both transducer power handling and system reliability. The GST-151200 also features a very long air gap height that improves transducer linearity

The GST-151200 offers very smooth and controlled amplitude response to 1500Hz and has a useable high frequency limit of 2000Hz. The rated low frequency limit of 40Hz will insure excellent low frequency extension and bass response. The GST-151200 is an excellent choice for high output two way system designs where extended low frequency energy is specified. It is ideally coupled with P Audio BM-D series and SD series compression drivers. P Audio offers a wide range of high frequency horns that can provide short throw or medium throw designs when coupled with the GST-151200.

The design features very large diameter double silicone impregnated spiders to insure long term linearity. The silicone impregnated spiders and very high system power handling will insure excellent long term performance. The double spider design provides superior bearing control for large coil excursions. The cone is waterproof to improve reliability in high humidity environments.

The GST-151200 features an aluminum die cast chassis that includes P Audio's "Auto Balanced Cooling" design that minimizes coil and magnet structure heating, and further improves system performance.



Frequency Response and Impedance Curves

