

Ferrite Magnet Steel Chassis Driver



Specifications

General Specifications

Nominal diameter.....	381 mm/15 in
Power rating.....	300 W(AES)
Nominal impedance.....	8Ω
Sensitivity.....	93 dB
Frequency range.....	45-3500 Hz
Chassis type.....	Heavy Duty Stamp Steel
Magnet type.....	Ferrite
Magnet weight.....	1.41 kg/49.7 oz
Voice coil diameter.....	60.5 mm/2.38 in
Coil material.....	SV-W
Former material.....	Aluminum
Cone material.....	Paper
Surround material.....	Cloth
Suspension.....	Single
X-max.....	3.5 mm/0.14 in
Gap depth.....	.8 mm/0.31 in
Voice coil winding width.....	15.0 mm/0.59 in
Net Weight.....	4.5 kg/9.9 lb
Packing Dimension WxDxH (mm)	400mm x 400mm x 180mm
Shipping Weight.....	5.2 kg/11.5 lb

Small Signal Parameters

Re.....	6.3Ω
Fs.....	43 Hz
Mms.....	105.75 g/4.16 oz
Mmd.....	90.7 g/3.57 oz
Qms.....	3.08
Qes.....	0.88
Qts.....	0.68
Vas.....	139.37 lt/4.92 ft³
Bl.....	14.4 Tm
Cms.....	1.3e-04 m/N
Rms.....	9.38 Ns/m
Le (at 1kHz).....	0.38 mH

Features

- 2.38" Voice Coil
- 1200 Watts Peak Power Handling
- Ferrite Magnetics
- Precision Circular Wire Geometry
- Stamped Steel Chassis

Applications

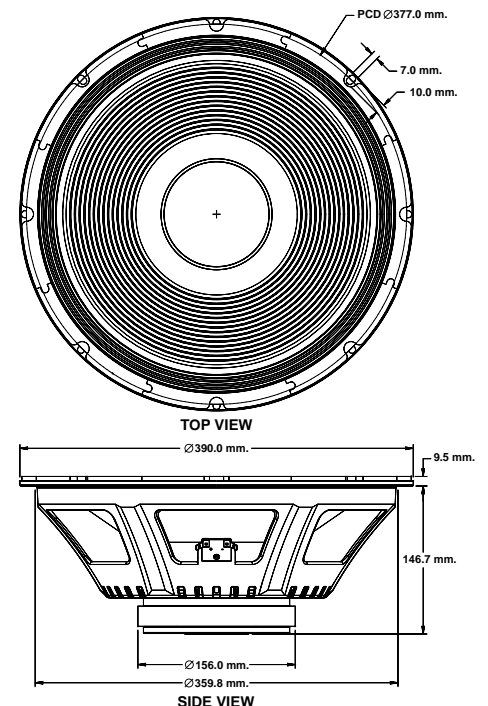
The P Audio IMF-HP15W NEW is a high output low frequency transducer. The IMF-HP15W NEW is an upgraded design that features many of P Audio's new technologies and performance upgrades. The 15 inch (381mm) diameter piston will produce extremely high sound pressure levels at low and mid band frequencies and is ideal as a high level low frequency transducer in two way and three way sound reinforcement systems. The transducer is an excellent choice in both live sound and recorded music venues. The operating bandwidth of the IMF-HP15W NEW is 45Hz to 3500Hz. The transducer uses high energy ferrite magnetics to achieve a very high acoustic output to weight ratio.

The IMF-HP15W NEW employs a medium format 2.38 inch (60.5mm) diameter voice coil that provides an AES rated 300 watts of continuous power handling and a full 1200 watts of peak rated power handling when sufficient amplifier headroom is available. The IMF-HP15W NEW utilizes P Audio's under damper venting technology to improve transducer air flow and reduce turbulence under the damper and around the voice coil.

The voice coil design is bobbin wound geometry with P Audio's precision round wire technology to maximize system conversion efficiency.

The suspension has been designed specifically for high linear displacement and extended low frequency response.

The transducer chassis is a heavy gauge stamped steel design that insures a very high degree of structural integrity.



Frequency Response and Impedance Curves

