

**Neodymium Magnet Die-cast Chassis Driver**



**Features**

- 3.9" Large Format Voice Coil
- 4000 Watts Peak Power Handling
- Active Balanced Cooling
- Integrated Demodulation Rings
- Neodymium Magnetics
- Precision Rectangular Ribbon Wire Geometry
- Die Cast Aluminum Chassis

**Applications**

The P Audio P-15N is a high output low frequency to mid range transducer designed with a vintage voicing. The P-15N is an upgraded design that features many of P Audio's new technologies and performance upgrades. The 15 inch (381mm) diameter piston will produce extremely high sound pressure levels at from low frequencies thru the upper mid range and is ideal for high level two way and three way sound reinforcement systems. The P-15N is well suited for both live sound and recorded music venues. The operating range is 55Hz to 2000Hz. The transducer uses very high energy neodymium magnetics to achieve a very high acoustic output.

The P-15N employs a large 3.9 inch (99.3mm) diameter voice coil and has been upgraded to an AES rated 1000 watts of continuous power handling and a full 4000 watts of peak rated power handling when sufficient amplifier headroom is available. The P-15N utilizes P Audio's Auto Balanced Cooling (ABC) technology to not only improve transducer power handling and reliability but to also increase power compression performance by carefully balancing and directing airflow to critical areas.

The voice coil design is a bobbin wound geometry with P Audio's Rectangular wire technology to improve conversion efficiency and provide a large cross-sectional area for superior cooling.

The transducer employs magnetic flux demodulation devices in the structure to increase fidelity and sonic accuracy. The system suspension has been designed specifically for high linear displacement and extended low frequency response.

The transducer chassis is a die cast aluminum design that insures a very high degree of structural integrity.

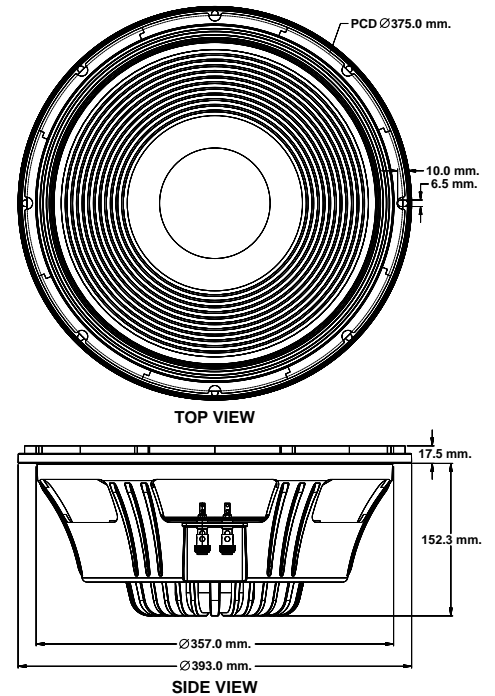
**Specifications**

**General Specifications**

Nominal diameter.....	381 mm/15 in
Power rating.....	1000 W(AES)
Nominal impedance.....	8Ω
Sensitivity.....	98 dB
Frequency range.....	55-2000 Hz
Chassis type.....	Cast aluminum
Magnet type.....	Neodymium
Magnet weight.....	0.45 kg/15.8 oz
Voice coil diameter.....	99.3 mm/3.9 in
Coil material.....	AL-R
Former material.....	Glass fiber
Cone material.....	Paper
Surround material.....	Cloth
Suspension.....	Single
X-max.....	2 mm/0.08 in
Gap depth.....	15 mm/0.6 in
Voice coil winding width.....	19 mm/0.75 in
Net Weight.....	7 kg/15.4 lb
Packing Dimension WxDxH.....	430 x 430 x 220 mm
Shipping Weight.....	8.2 kg/18.1 lb

**Small Signal Parameters**

Re.....	5.4Ω
Fs.....	38 Hz
Mms.....	120.89 g/4.26 oz
Mmd.....	105.16 g/3.71 oz
Qms.....	4.60
Qes.....	0.22
Qts.....	0.21
Vas.....	170.15 lt/6.0 ft <sup>3</sup>
Bl.....	26.80 Tm
Cms.....	1.5e-04 m/N
Rms.....	6.27 Ns/m
Le (at 1kHz).....	0.710 mH
Sd.....	908 cm <sup>2</sup>



**Frequency Response and Impedance Curves**

