



Applications

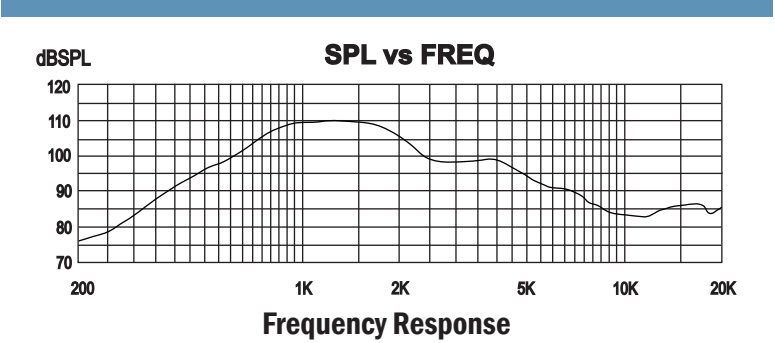
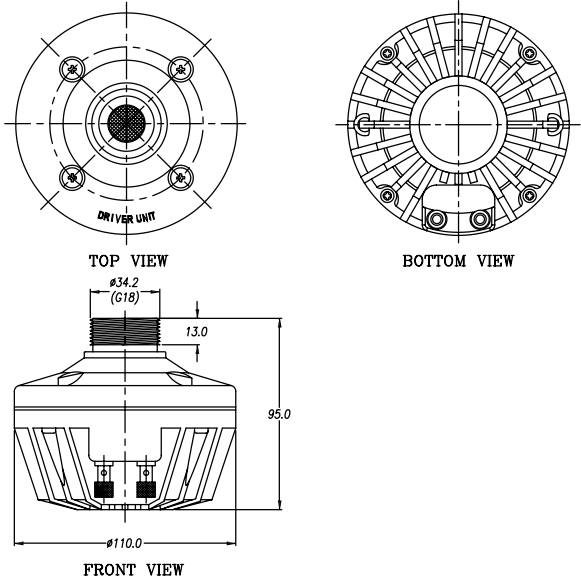
PA-D50

The P Audio PA-D50 is a weather resistant mid range and high frequency compression driver designed for general purpose paging applications. The medium format diaphragm assembly features a full 2 inch (50mm) voice coil diameter that provides a full 75 watts of program power handling. The PA-D50 also offers a very high sensitivity rating of 109dB. This high sensitivity is coupled to an operating bandwidth of 200Hz to over 7kHz, making the driver ideal for high quality vocal range reinforcement and paging.

The PA-D50 uses an industry standard 0.87 inch (22mm) exit diameter and is a standard screw on mounting configuration. The driver uses a very high quality Alnico permanent magnet to insure high sensitivity. The weather resistant performance of the PA-D50 is insured by the use of a highly impregnated phenolic diaphragm assembly.

Specifications

Throat Diameter	0.87 inch (22 mm)
Diaphragm Diameter	2 inch (50 mm)
Nominal Impedance	16 Ohm
Voice Coil DC Resistance	10.7 Ohm
Power Handling	75 Watt
Sound Pressure Level (1W@1M)	109 dB
(Loaded with 90x40 Horn)	
Mounting Type	Screw On
Magnet	Alnico
Diaphragm Material	Phenolic Resin
Recommended Crossover	700Hz or higher
	(12dB/Oct slope)
Net Weight	1.55kg (3.41 lbs)
Shipping Weight	1.65kg (3.63 lbs)



19/4 Moo 2 T.Bangkratuk A. Samparn Nakornpathom 73210 Thailand
 Tel: +66-2-441-6600 Auto 30 Lines
 e-mail: info@paudiothailand.com
 Web site: www.paudiothailand.com
 All rights reserved by P.Audio System Co., Ltd. 2007