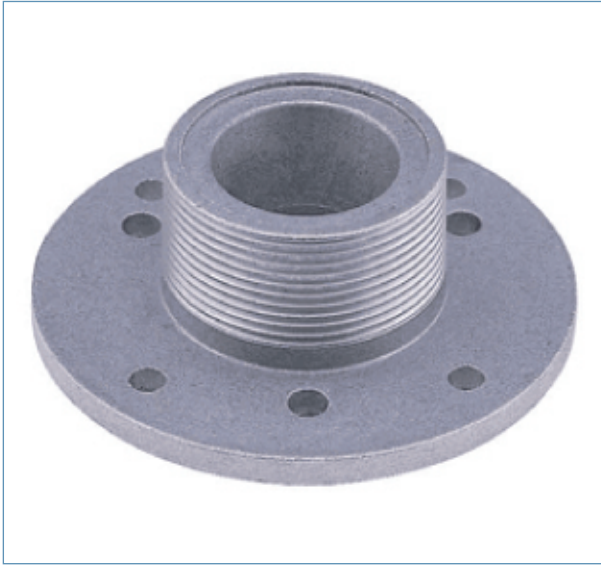




Horn And Driver Adaptors

PC-20



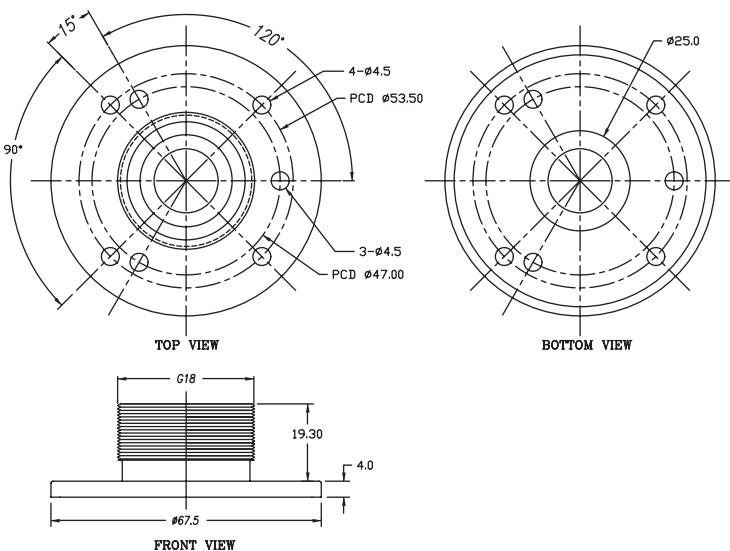
Applications

PC-20

The PC-20 is designed to allow compression drivers with 1 inch (25.4mm) bolt on style exit diameters to be used with horns that feature standard 1 inch (25.4mm) thread on style throats. This adaptor converts 1 inch bolt on drivers to 1 inch screw on style.

Specifications

Overall Dimension	: 68 x 24	mm.
Material	: Aluminium	
Net Weight	: 0.06 kg	(0.13 lbs.)
Shipping Weight	: 0.14 kg (2 pcs.)	(0.30 lbs.)
Packing Dimension	: 90 x 90 x 60	mm.



19/4 Moo 2 T.Bangkratuk A. Samparn Nakornpathom 73210 Thailand
 Tel: +66-2-441-6600 Auto 30 Lines
 e-mail: info@paudiothailand.com
 Web site: www.paudiothailand.com
 All rights reserved by P.Audio System Co., Ltd. 2007

