



Horn And Driver Adaptors PC-5025



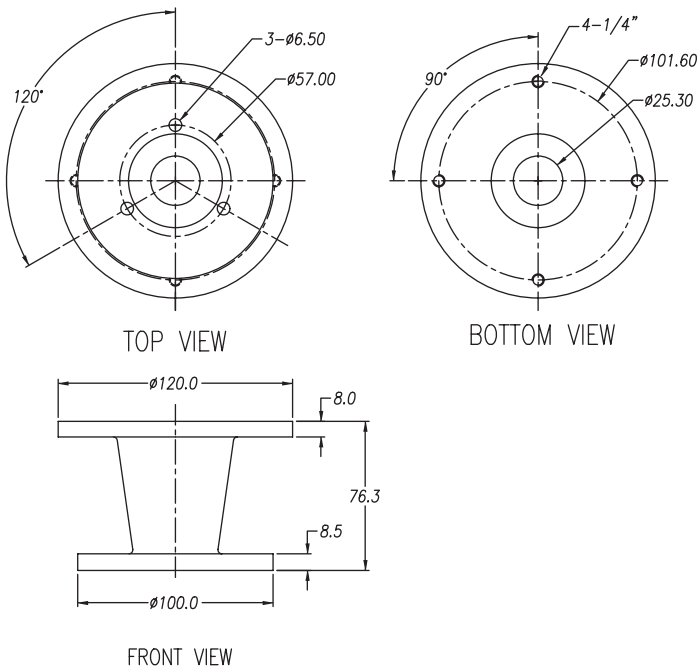
Applications

PC-5025

The PC-5025 is designed to mate standard bolt on style compression drivers with 1 inch (25.4mm) exit diameters to horns that feature standard 2 inch (50 mm) bolt on throat geometries.

Specifications

Overall Dimension	: 120 x 76	mm.
Material	: Aluminium	
Net Weight	: 0.54 kg (1.18 lbs.)	
Shipping Weight	: 0.60kg (1.36 lbs.)	
Packing Dimension	: 130 x 130 x 100	mm.



19/4 Moo 2 T.Bangkratuk A. Samparn Nakornpathom 73210 Thailand
Tel: +66-2-441-6600 Auto 30 Lines
e-mail: info@paudiothailand.com
Web site: www.paudiothailand.com
All rights reserved by P.Audio System Co., Ltd. 2007

