

High Frequency Horn PH-2513

Applications

PH-2513 HIGH FREQUENCY HORN

The PH-2513 is a short throw horn design. The horn features a rectangular mouth geometry with a 90 degree horizontal by 65 degree vertical radiation pattern and is ideal for applications where low Q directional acoustic radiation is specified. The 1 inch (25.4mm) throat design is ideal for high sound pressure levels and low distortion through the mid band frequency range. The 1 inch diameter screw on throat design makes the PH-2513 compatible with many P Audio PreNeo and BMD series professional compression drivers.

The PH-2513 offers a wide horizontal mouth and offers a wide dispersion pattern to below 1000Hz. The width of the horn makes the PH-2513 ideal for use with 15 inch loudspeakers in professional level two way system designs. The horn is compatible with many competitive compression driver designs because of its industry standard throat diameter.

The PH-2513 is constructed from high impact ABS with additional glass fillers for superior structural support and rigidity.

The PH-2513 may be used with the following P.audio professional compression drivers. (or any industry standard compatible driver)

- BM-D340S
- BM-D440S
- BM-D450S
- PreNeo-340S



Specifications

Nominal Coverage Angle (H° X V°) - 6 dB.	90° x 65°
Cut Off Frequency (Hz.)	600 Hz
Throat Diameter	25.4mm (1")
Mounting Type	SCREW ON
Construction	Injected Polymer A.B.S with glass fiber filled Black Polycarbonate

MOUNTING DIMENSIONS :

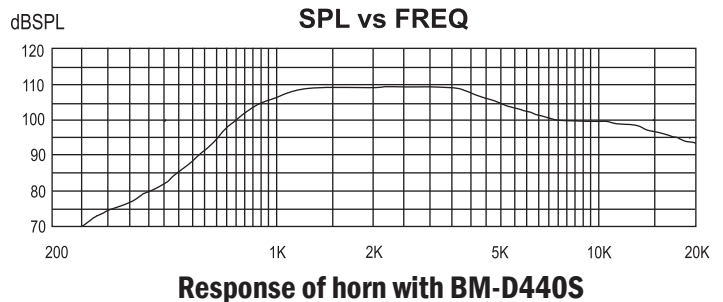
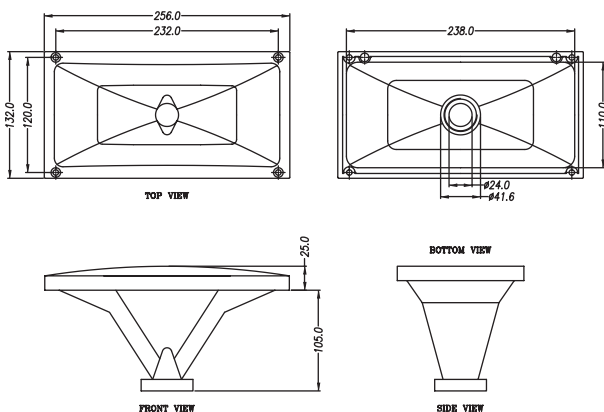
Rear Height :	232mm (9.13")
Rear Width :	120mm (4.72")

OVERALL DIMENSIONS :

Mount Height :	256mm (10.17")
Mount Width :	132mm (5.19")
Length :	130mm (5.11")

BAFFLE CUTOUT DIMENSIONS :

Height :	225mm (8.85")
Width :	110mm (4.33")
Net Weight :	0.4kg (0.88 lbs)
Shipping Weight :	0.6kg (1.32 lbs)
Packing Dimension :	270mm x 140mm x 150mm 10.62" x 5.51" x 5.91"



19/4 Moo 2 T.Bangkratuk A. Samparn Nakornpathom 73210 Thailand
 Tel: +66-2-441-6600 Auto 30 Lines
 e-mail: info@paudiothailand.com
 Web site: www.paudiothailand.com
 All rights reserved by P.Audio System Co., Ltd. 2007

