

Applications

PH-64 HIGH FREQUENCY HORN

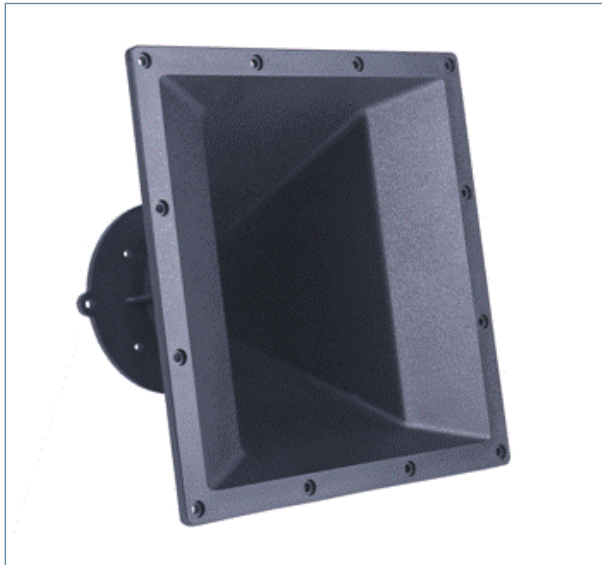
The P Audio PH-64 is a wide bandwidth high frequency horn. The PH-64 is a constant directivity design that features a square mouth that allows a "rotatable" directivity configuration. The PH-64 may be rotated between a 60 degree horizontal and 40 degree vertical pattern to a 40 degree horizontal by 60 degree vertical coverage pattern. The flat front design allows the PH-64 to be used in modern professional sound reinforcement systems where a flat front system geometry is specified. The included angles of 60 degree and 40 degree make the PH-64 a very high performance medium to long throw high frequency wave guide.

The PH-64 features a 1.4 inch (35.5mm) diameter throat and is compatible with many of P Audio's PreNeo and BMD series high performance compression drivers. The 1.4 inch throat geometry is an industry standard and this makes the PH-64 compatible with many other compression drivers as well. This throat geometry also provides for controlled beamwidths at higher frequencies as well. The medium format mouth area provides excellent acoustic loading to below 1000Hz, making the PH-64 ideal for wide range and low frequency crossover points.

The PH-64 construction is a rugged glass filled ABS and is fully braced to provide excellent structural support to the mated compression driver. The horn mouth dimensions of 12 inches (315 mm) by 12 inches make the PH-64 an ideal mate for both 12 inch low frequency woofers as well as 15 in woofers. The PH-64 is an ideal choice for professional level two way system designs where medium to long throw is required.

The PH-64 may be used with the following P.audio professional compression drivers. (or any industry standard compatible driver)

- BM-D740
- PreNeo-740N



Specifications

Nominal Coverage Angle (H° X V°) - 6 dB.	60° x 40°
Cut Off Frequency (Hz.)	400 Hz
Throat Diameter	35.5mm (1.4")
Mounting Type	BOLT ON
Construction	Injected Polymer A.B.S with glass fiber filled Black Polycarbonate

MOUNTING DIMENSIONS :

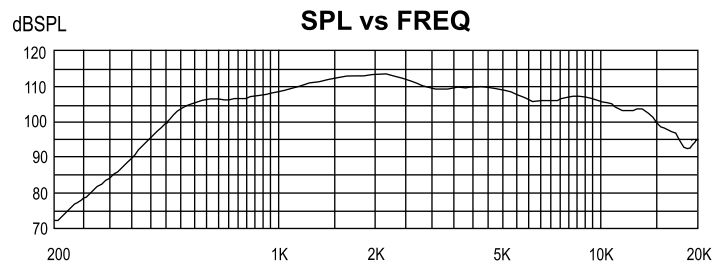
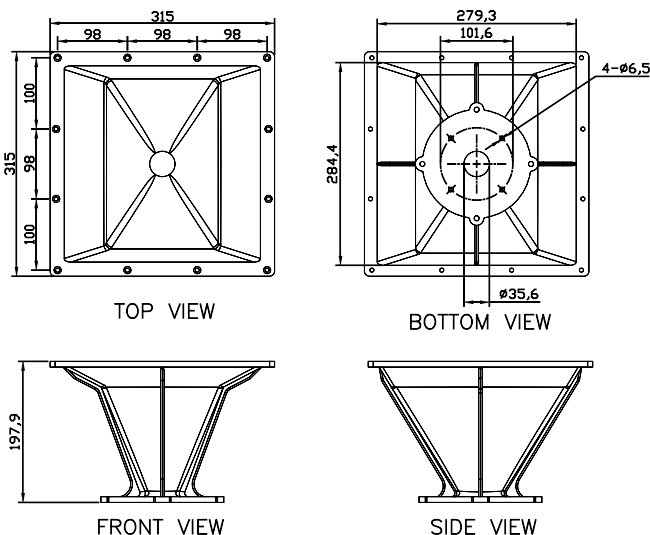
Rear Height :	279mm (10.98")
Rear Width :	284mm (11.18")

OVERALL DIMENSIONS :

Mount Height :	315mm (12.40")
Mount Width :	315mm (12.40")
Length :	198mm (7.79")

BAFFLE CUTOOUT DIMENSIONS :

Height :	281mm (11.06")
Width :	286mm (11.25")
Net Weight :	1.60kg (3.52 lbs)
Shipping Weight :	2.10kg (4.62 lbs)
Packing Dimension :	335mm x 335mm x 232mm 13.2" x 13.2" x 9.1"



Response of horn with PreNeo-740N

19/4 Moo 2 T.Bangkratuk A. Samparn Nakornpathom 73210 Thailand
 Tel: +66-2-441-6600 Auto 30 Lines
 e-mail: info@paudiothailand.com
 Web site: www.paudiothailand.com
 All rights reserved by P.Audio System Co., Ltd. 2007

