

**High Frequency Horns**



**Applications**

The P Audio PH-2370 is a rectangular geometry small/medium format high frequency horn. The PH-2370 features a 90 degree by 40 degree included angle radiation pattern and was designed for use with any industry standard 1" (25.4mm) nominal diameter bolt on compression driver.

The rectangular mouth geometry makes the PH-2370 ideal for use in two way sound reinforcement system designs where the low frequency component is a high quality 12" or 15" device. The construction is a rugged injection molded design that provides superior strength and excellent mechanical damping. The PH-2370 may be used with a wide range of P Audio high performance compression drivers and provides excellent bandwidth and polar pattern control.

**Specifications**

**General Specifications**

Nominal Coverage Angle (H° X V°) -6dB.....90° x 40°  
 Cut Off Frequency.....500 Hz  
 Throat Diameter..... 25.4 mm/1 in  
 Mounting TypeBOLT-ON.....BOLT-ON  
 Construction.....A.B.S. with glass filled polycarbonate  
 Net Weight.....1 kg/2.2 lb  
 Packing Dimension.....470 mm x 200 mm x 210 mm  
 Shipping Weight.....1.7 kg/3.74 lb

**Mounting Dimensions**

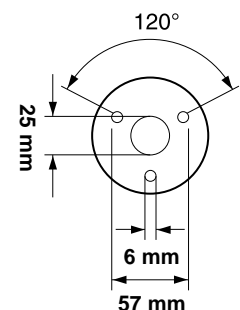
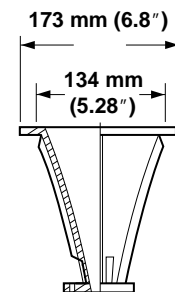
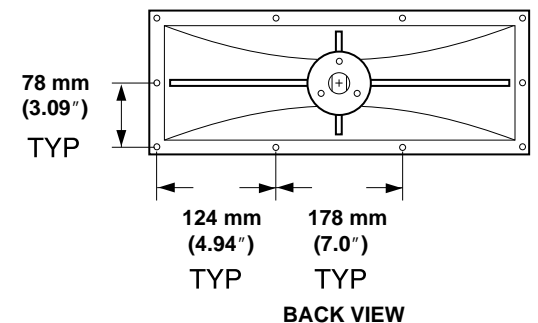
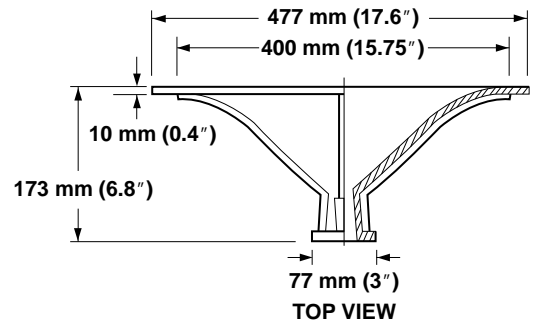
Rear Height.....134 mm/5.28 in  
 Rear Width.....400 mm/15.75 in

**Over Dimensions**

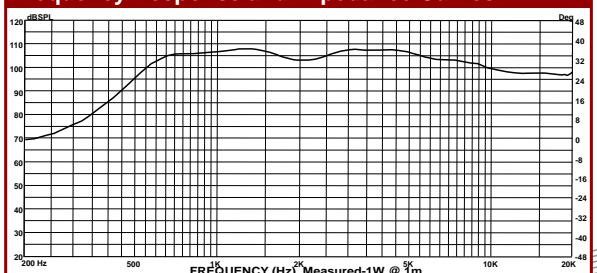
Mouth Height.....173 mm/6.8 in  
 Mouth Width.....447 mm/17.6 in  
 Length.....173 mm/6.8 in  
 Mounting Flange Thickness.....10 mm/0.4 in  
 Mounting Holes Diameter.....6.35 mm/0.25 in  
 Mounting Holes Number.....10

**Baffle Cut Out Mounting**

Height.....Height 138 mm/5.44 in  
 Width.....Width 403 mm/15.87 in



**Frequency Response and Impedance Curves**



\* Response of horn with BM-D440