



PreNeo™ Series PreNeo-450N

High Output Compression Driver

The P Audio PreNeo-450N is a state of the art high output compression driver. Advanced engineering and manufacturing methods have produced an extremely reliable and wide bandwidth device that also features very high fidelity.

The new PreNeo-450N driver utilizes the recently developed CRT™ technology to substantially improve both the time domain response and reduce distortion through the critical upper vocal range (1.5kHz to 5kHz). This new technology, called Cavity Resonance Technology™ (CRT) acts to acoustically minimize the cavity found under all suspension driver suspension elements. By employing CRT technology, P Audio engineers have been able to greatly improve the vocal accuracy in the frequency range where vocal intelligibility is located. Magnetic fluid has also been added to increase thermal transfer and mechanical damping. These changes to the diaphragm and magnet structure assembly have also increased the sound pressure levels and smoothed the response between 10kHz and 20kHz. The result is a more accurate system, particularly for vocal range program material.

The PreNeo-450N is a medium format titanium based diaphragm assembly mated to a close spaced circumferential phase plug geometry. The voice coil is a rectangular geometry high temperature aluminum to insure extended high frequency response.

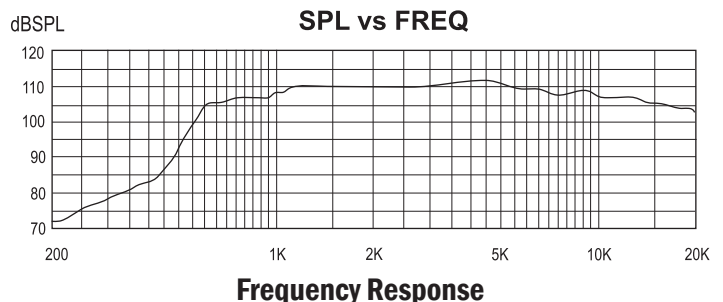
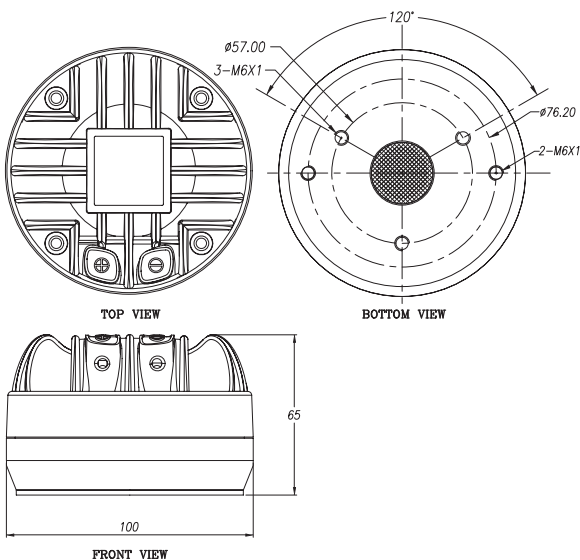
The 1.0 inch (25.4mm) throat exit makes the 450N an excellent choice for extended bandwidth and ultra high frequency applications such as three way designs. The PreNeo-450N is ideally suited for line array applications or other applications where a mid bass horn or direct radiator driver is also used. This small format throat insures wide dispersion at very high frequencies and is an excellent choice for three way systems or medium power two way designs. The 1.0 inch throat is compatible with a variety of P Audio horns and also compatible with industry standard 1.0 inch bolt on horns.

The Neodymium based permanent magnetic system produces a very high efficiency to weight and size ratio. This makes the PreNeo-450N ideal for professional applications as well as fixed installation systems. The medium format Neodymium-Iron-Boron permanent magnet produces a remarkably high conversion efficiency.



Specifications

Throat Diameter	1.0 inch (25.4mm)
Diaphragm Diameter	1.75 inch (44.4mm)
Nominal Impedance	8 Ohm
Voice Coil DC Resistance	6.8 Ohm
Power Handling	80 Watt
Sound Pressure Level (1W@1M) (Loaded with 90x40 Horn)	110 dB
Mounting Type	Bolt On
Magnet	Neodymium
Diaphragm Material	Titanium
Recommended Crossover	1.5kHz or higher (12dB/Oct slope)
Net Weight	1.9kg (4.2lbs) 1pc
Gross Weight	3.9kg (8.6lbs) 2pc
Packing Dimension HxWxD(cm)	26.2 x 12.8 x 9 (0.11 Cu.Ft.)



19/4 Moo 2 T.Bangkratuk A. Samparn Nakornpathom 73210 Thailand
 Tel: +66-2-441 6600 Auto 30 Lines
 e-mail: info@paudiothailand.com
 Web site: www.paudiothailand.com
 All rights reserved by P.Audio System Co., Ltd. 2007

