

**Ferrite Magnet Compression Driver**



**Specifications**

**General Specifications**

Power rating.....	30 W(AES)
Nominal impedance.....	8Ω
Sensitivity.....	103 dB
Frequency range.....	1200-20000 Hz
Recommended min. crossover (12dB/oct).....	1800 Hz
Voice coil diameter.....	34.4mm/1.35 in
Voice coil material.....	AL-R
Magnet type.....	Ferrite
Diaphragm and surround material .....	Titanium
Net Weight.....	1.0 kg/2.2 lb
Packing Dimension WxDxH(mm)...	300mm x385mm x230mm
Shipping Weight (30 Pcs).....	30 kg/66.2 lb

**Features**

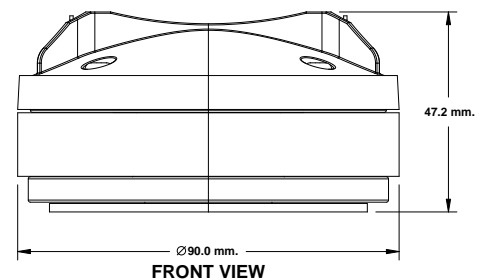
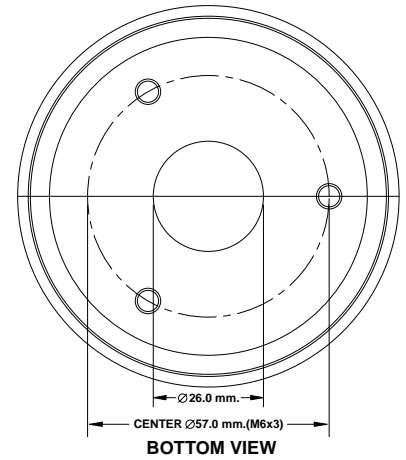
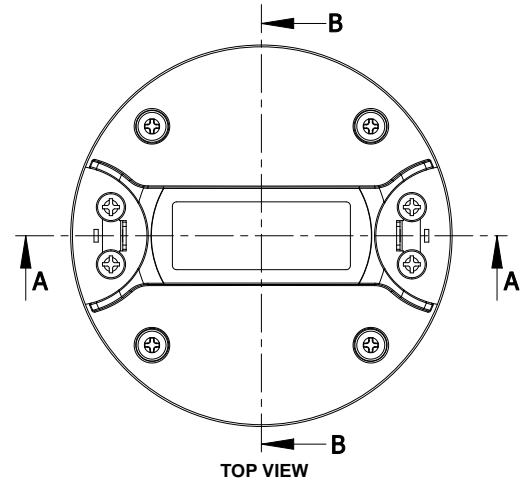
- Small Format Wide Bandwidth Compression Driver
- 1" Exit Diameter
- 120 Watts Peak Power Handling
- Pure Titanium Based 1.35" Diaphragm Diameter
- Bolt On Mounting
- Ferrite Magnetics

**Applications**

The P Audio SD-34BF is a medium format compression driver that utilizes a precision formed diaphragm assembly. The diaphragm is precision formed to insure excellent consistency and performance. The diaphragm assembly is close spaced to a precision phase plug to insure excellent acoustic loading. The SD-34BF has an operating range of 1200Hz to 20000Hz and is ideally suited for two way and three way high frequency applications in professional sound reinforcement systems.

The SD-34BF is a ferrite based magnetic system with an industry standard 1 inch (25.4mm) exit diameter. The mounting configuration is a standard "bolt on" style. P Audio offers a wide variety high frequency horns that will provide excellent pattern control and acoustic loading for the SD-34BF.

The diaphragm assembly is a 1.35 inch (34.4mm) diameter Polyetherimide (PEI) design and utilizes P Audio's very high temperature adhesive systems and precision manufacturing to insure high power handling and reliability. The construction yields a full 30 watts of power handling capacity. The larger diaphragm diameter (1.35 inch) provides superior mid band response and is an excellent choice for medium power sound reinforcement systems.



**Frequency Response and Impedance Curves**

