



SN™ Series II

SN-10MB



Applications

SN-10MB

When very compact and light weight loudspeaker systems are required the SN-10MB is an ideal design. Like all SN Series II designs, the SN-10MB was designed for a specific application. This 10 inch (264mm) diameter loudspeaker is ideal for applications where a very portable system or small enclosure size is specified. The 10 inch diameter design offers increased radiating area over a traditional 8 inch (203mm) woofer and can out perform 8 inch woofers in terms of acoustic output. Like all loudspeakers in the SN Series II family, the SN-10MB features a Neodymium based permanent magnetic system mounted to a die cast aluminum chassis. This 10 inch design features a 3 inch diameter (76.2mm) voice coil design. This represents a large coil diameter to chassis diameter and will insure very high power handling and reliability in this small but very powerful design. The operating bandwidth is 65Hz to 2500Hz. This response range is optimized for two way system designs for both small format sound reinforcement and installed public address designs.

Specifications

GENERAL SPECIFICATIONS

Nominal Impedance	8 Ω
Power	600 Watt (rms)
SPL 1W@1M average sensitivity	97 dB
Frequency Response	65Hz - 2500Hz
Dimension Ø x H (cm)	26.5 x 13.5
Net Weight	3.8 kg (8.4 lbs)
Shipping Weight	4.5 kg (9.9 lbs)
Packing Dimension H x W x D (cm)	30 x 30 x 14.5 (0.5cu.ft)
	11.8" x 11.8" x 5.7"

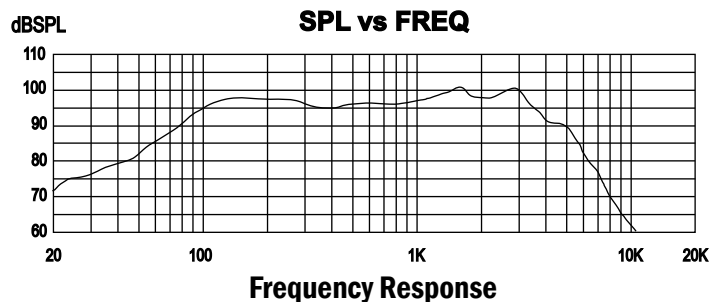
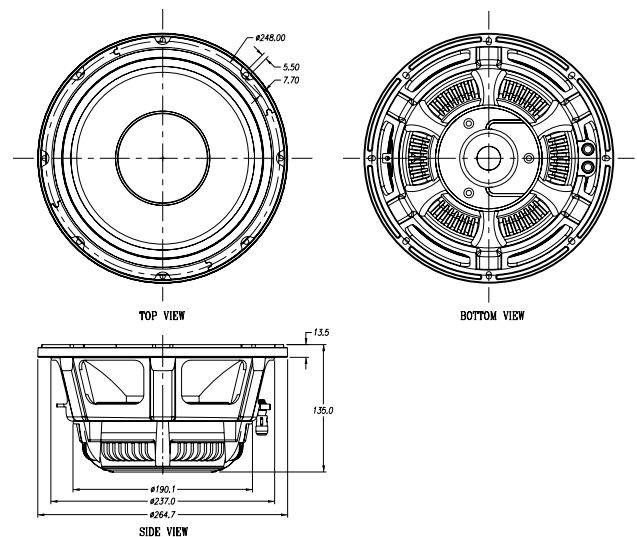
PHYSICAL SPECIFICATIONS

Magnet type	Neodymium
Voice Coil Diameter	76.2 mm (3 inch)

THIELE/SMALL PARAMETERS

Resonance Frequency	Fs	70 Hz
DC Resistance	Re	5.4 Ω
Coil Inductance	Le	0.34 mH
Mechanical Q Factor	Qms	7.30
Electrical Q Factor	Qes	0.42
Total Q Factor	Qts	0.39
BL Product	BL	16.04 Tm
Effective Moving Mass	Mms	44.89 g
Equivalent Cas Air-Load	Vas	19.38 Liters
Effective Piston Area	Sd	0.034 Sqm
Half-Space Efficiency	Eff	1.57 %
Airgap Height	Hag	8.0 mm
Voice Coil Height	Hvc	18.0 mm
Voice Coil Overhang	Xmax	5.0 mm

The SN-10MB is also an ideal for high performance direct radiator and horn loaded mid bass designs. When used from 150Hz to 2000Hz, this design can provide superb mid band and vocal band performance levels. The new cone material provides a very high degree of vocal clarity and intelligibility.



19/4 Moo 2 T.Bangkratuk A.Samparn Nakornpathom 73210 Thailand
 Tel: +66-2-441-6600 Auto 30 Lines
 e-mail: info@paudiothailand.com
 Website: www.paudiothailand.com
 All rights reserved by P.Audio System Co.,Ltd. 2007

