

Neodymium Magnet Die-cast Chassis Driver



Specifications

General Specifications

Nominal diameter.....	381 mm/15 in
Power rating.....	600 W(AES)
Nominal impedance.....	8Ω
Sensitivity.....	97 dB
Frequency range.....	55-2000 Hz
Chassis type.....	Cast aluminum
Magnet type.....	Neodymium
Magnet weight.....	0.33 kg/11.7 oz
Voice coil diameter.....	83.3 mm/3.28 in
Coil material.....	CCA-W
Former material.....	Glass fiber
Cone material.....	Paper
Surround material.....	Cloth
Suspension.....	Single
X-max.....	4.8 mm/0.19 in
Gap depth.....	10 mm/0.39 in
Voice coil winding width.....	19.6 mm/0.77 in
Net Weight.....	4.6 kg/10.14 lb
Packing Dimension WxDxH (mm)	430mm x 430mm x 220mm
Shipping Weight.....	5.6 kg/12.35 lb

Small Signal Parameters

Re.....	5.6Ω
Fs.....	51 Hz
Mms.....	84.80 g/2.99 oz
Mmd.....	70.42 g/2.48 oz
Qms.....	5.27
Qes.....	0.46
Qts.....	0.42
Vas.....	120.20 lt/4.24 ft ³
Bl.....	18.20 Tm
Cms.....	1.2e-04 m/N
Rms.....	5.816 Ns/m
Le (at 1kHz).....	0.44 mH

Features

- 3.28" Voice Coil
- 2400 Watts Peak Power Handling
- Integrated Demodulation Rings
- Neodymium Magnetics
- Precision Circular Inside/Outside Wire Geometry
- Die Cast Aluminum Chassis

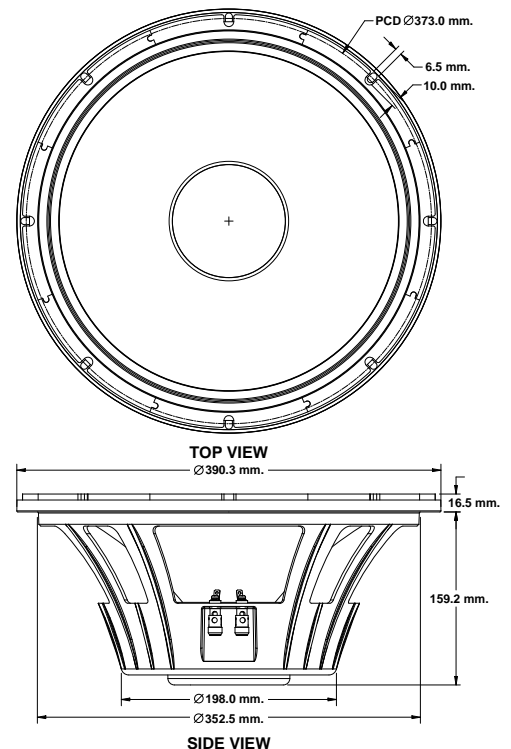
Applications

The P Audio SN15-500B is a high performance wide bandwidth transducer. The SN15-500B is an upgraded design that features many of P Audio's new technologies and performance upgrades. The 15 inch (381mm) diameter piston will produce extremely high sound pressure levels at both low and mid band frequencies and is ideal for high level response in both live sound and recorded music venues. The transducer uses very high energy neodymium magnetics to achieve a very high acoustic output to weight ratio. The SN15-500B has been optimized for use in two way or three way sound reinforcement systems and has an operating range of 55Hz to 2000Hz.

The SN15-500B features a large 3.28 inch (83.3mm) diameter voice coil that provides an AES rated 600 watts of continuous power handling and a full 2400 watts of peak rated power handling when sufficient amplifier headroom is available. The SN15-500B utilizes P Audio's Auto Balanced Cooling (ABC) technology to not only improve transducer power handling and reliability but to also increase power compression performance by carefully balancing and directing airflow to critical areas.

The voice coil design is a bobbin wound geometry with P Audio's precision round inside/outside wire technology to improve conversion efficiency and provide a large cross-sectional area for superior cooling.

The transducer chassis is a die cast aluminum design that insures a very high degree of structural integrity.



Frequency Response and Impedance Curves

