

**Neodymium Magnet Die-cast Chassis Driver**



**Specifications**

**General Specifications**

|                               |                    |
|-------------------------------|--------------------|
| Nominal diameter.....         | 165 mm/6.5 in      |
| Power rating.....             | 100 W(AES)         |
| Nominal impedance.....        | 8Ω                 |
| Sensitivity.....              | 90 dB              |
| Frequency range.....          | 80-3000 Hz         |
| Chassis type.....             | Cast aluminum      |
| Magnet type.....              | Neodymium          |
| Magnet weight.....            | 0.06 kg/2.2 oz     |
| Voice coil diameter.....      | 30.5 mm/1.2 in     |
| Coil material.....            | SV-W               |
| Former material.....          | Kapton             |
| Cone material.....            | Carbon fiber       |
| Surround material.....        | Rubber             |
| Suspension.....               | Single             |
| X-max.....                    | 3.15 mm/0.12 in    |
| Gap depth.....                | .6 mm/0.24 in      |
| Voice coil winding width..... | 12.3 mm/0.48 in    |
| Net Weight.....               | 1.0 kg/2.2 lb      |
| Packing Dimension WxDxH.....  | 175 x 175 x 105 mm |
| Shipping Weight.....          | 1.3 kg/2.9 lb      |

**Small Signal Parameters**

|                   |                               |
|-------------------|-------------------------------|
| Re.....           | 5.2Ω                          |
| Fs.....           | 58 Hz                         |
| Mms.....          | 13.45 g/0.47 oz               |
| Mmd.....          | 12.57 g/0.44 oz               |
| Qms.....          | 5.72                          |
| Qes.....          | 0.48                          |
| Qts.....          | 0.44                          |
| Vas.....          | 14.02 lt/0.50 ft <sup>3</sup> |
| Bl.....           | 7.32 Tm                       |
| Cms.....          | 5.7e-04 m/N                   |
| Rms.....          | 0.84 Ns/m                     |
| Le (at 1kHz)..... | 0.32 mH                       |
| Sd.....           | 133 cm <sup>2</sup>           |

**Features**

- 1.2" Voice Coil
- 400 Watts Peak Power Handling
- Neodymium Magnetics
- Precision Circular Inside/Outside Wire Geometry
- Die Cast Aluminum Chassis

**Applications**

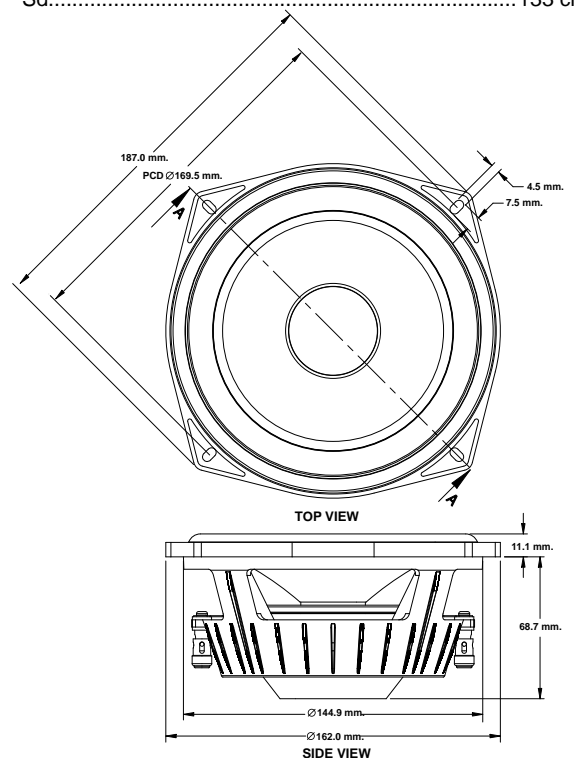
The P Audio SN6-100N is a high performance wide bandwidth transducer optimized for use in mid bass frequencies. The SN6-100N is an upgraded design that features many of P Audio's new technologies and performance upgrades. The 6.5 inch (165mm) diameter piston will produce extremely high sound pressure levels at both low and mid band frequencies and is ideal for high level response in both live sound and recorded music venues. The transducer uses very high energy neodymium magnetics to achieve a very high acoustic output to weight ratio. The SN6-100N has been optimized for use in two way or three way sound reinforcement systems and has an operating range of 80Hz to 3000Hz.

The SN6-100N features a 1.2 inch (30.5mm) diameter voice coil that provides an AES rated 100 watts of continuous power handling and a full 400 watts of peak rated power handling when sufficient amplifier headroom is available. The SN6-100N utilizes P Audio's Auto Balanced Cooling (ABC) technology to not only improve transducer power handling and reliability but to also increase power compression performance by carefully balancing and directing airflow to critical areas.

The voice coil design is a bobbin wound geometry with P Audio's copper wire inside/outside wire technology to improve conversion efficiency and provide a large cross-sectional area for superior cooling.

The SN6-100N utilizes a very high technology carbon fiber composite cone design to insure very high rigidity and extended piston range performance.

The transducer chassis is a die cast aluminum design that insures a very high degree of structural integrity.



**Frequency Response and Impedance Curves**

